

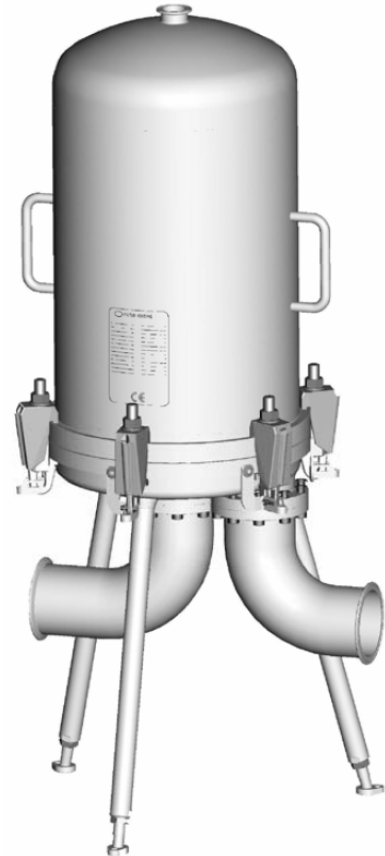


# Process Filtration From Pure to Sterile

PF-EG 0320 – 3040 – Series Large Multiple Housings

## MAIN FEATURES AND BENEFITS:

- Range of stainless steel housings for liquid filtration in a broad variety of applications
- Surface mechanical polished
- Internal surface finish  $Ra < 0.8 \mu m$
- Code 7 filter – element connection
- Several housing connections available (Milk-pipe / Clamp / Butt-weld / Flange EN1092-1)
- Complete stainless steel 316L / 1.4404 construction
- Standard version with drain- and vent-ports 1 1/2" Clamp Connection delivered with blind – clamps on drain- and vent-ports
- Housings are certified according ATEX Class 2
- ATEX Classification: Ex II 2GD IIC



## INDUSTRIES:



- Beverages



- Dairy and Food Processing



- Chemical



- Pharmaceutical

Donaldson Filtration Deutschland GmbH  
Büssingstr. 1  
42781 Haan  
Germany

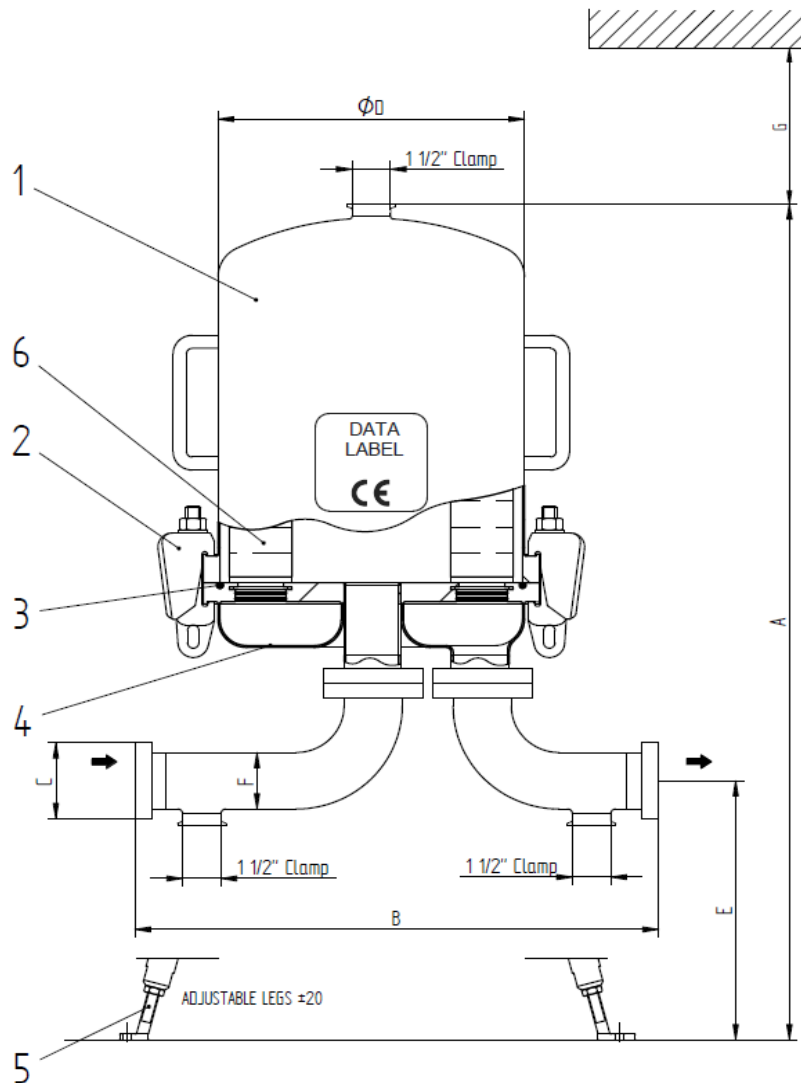
Web: [www.donaldson.com](http://www.donaldson.com)

Donaldson®  
Ultrafilter

## TECHNICAL DATA

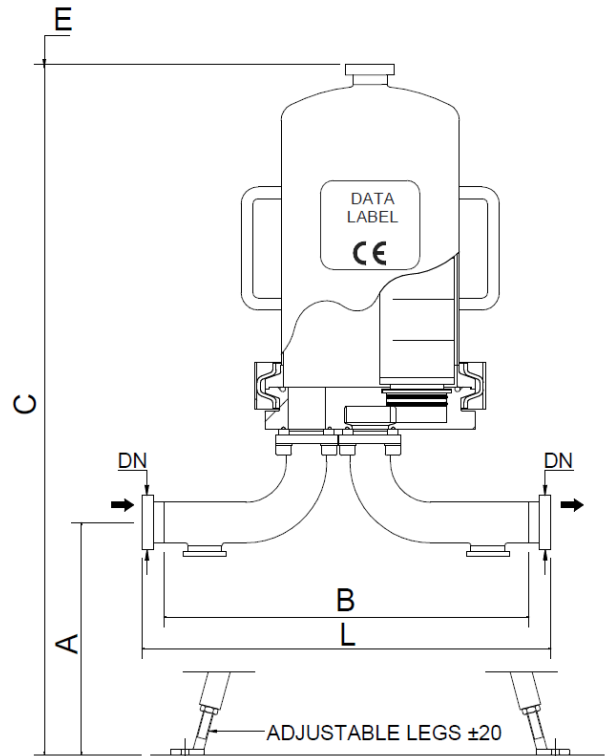
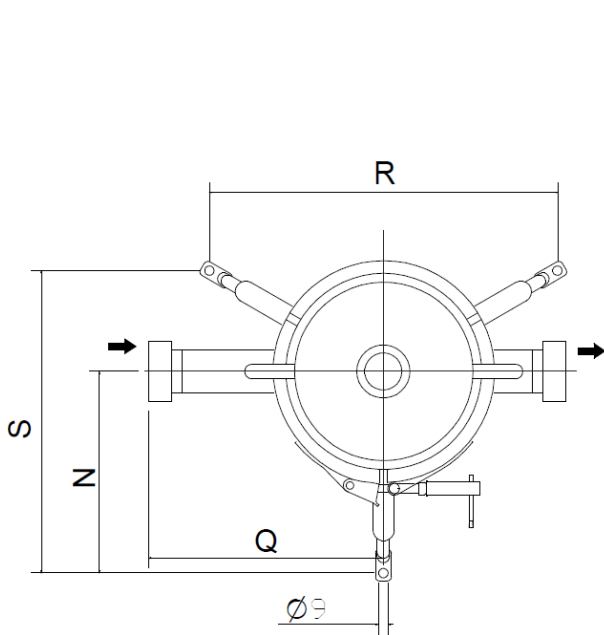
Pos.	Item description
6	filter element
5	leg
4	lower housing part
3	O-ring
2	clamp bolt
1	upper housing bowl

Max. operating pressure for liquids:	-20°C to +40°C 10 barg	Up to +150°C 4 barg
Max. operating pressure for saturated steam:	4.0 barg / 150°C	
Test pressure:	20 barg	
Material housing:	1.4404 / 316L	
Surfaces:	etched, passivated and mechanical polished	

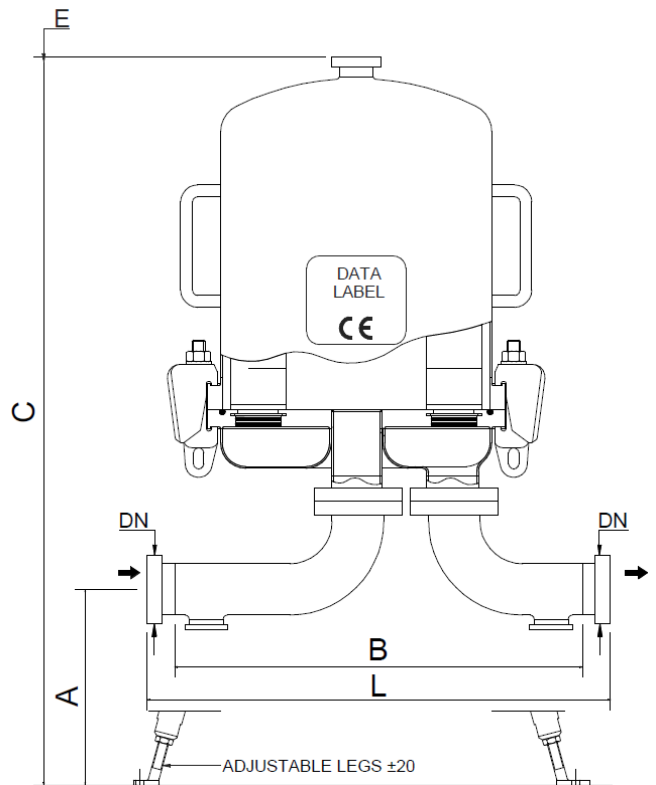
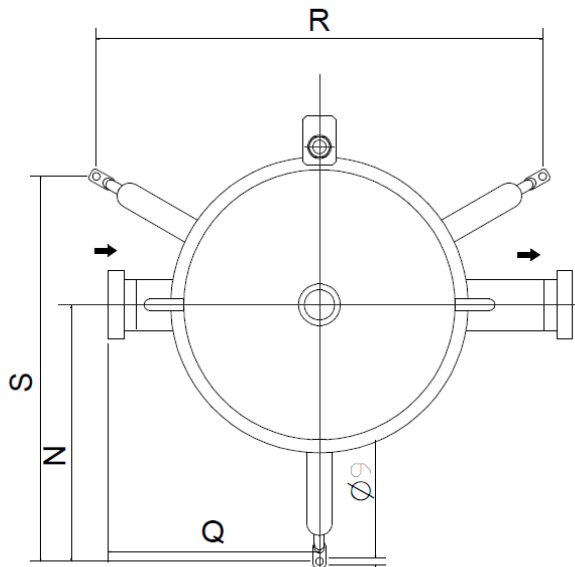


**DIMENSIONS HOUSING AND CONNECTIONS**

CARTRIDGES QUANTITY 03 - 05 - 08

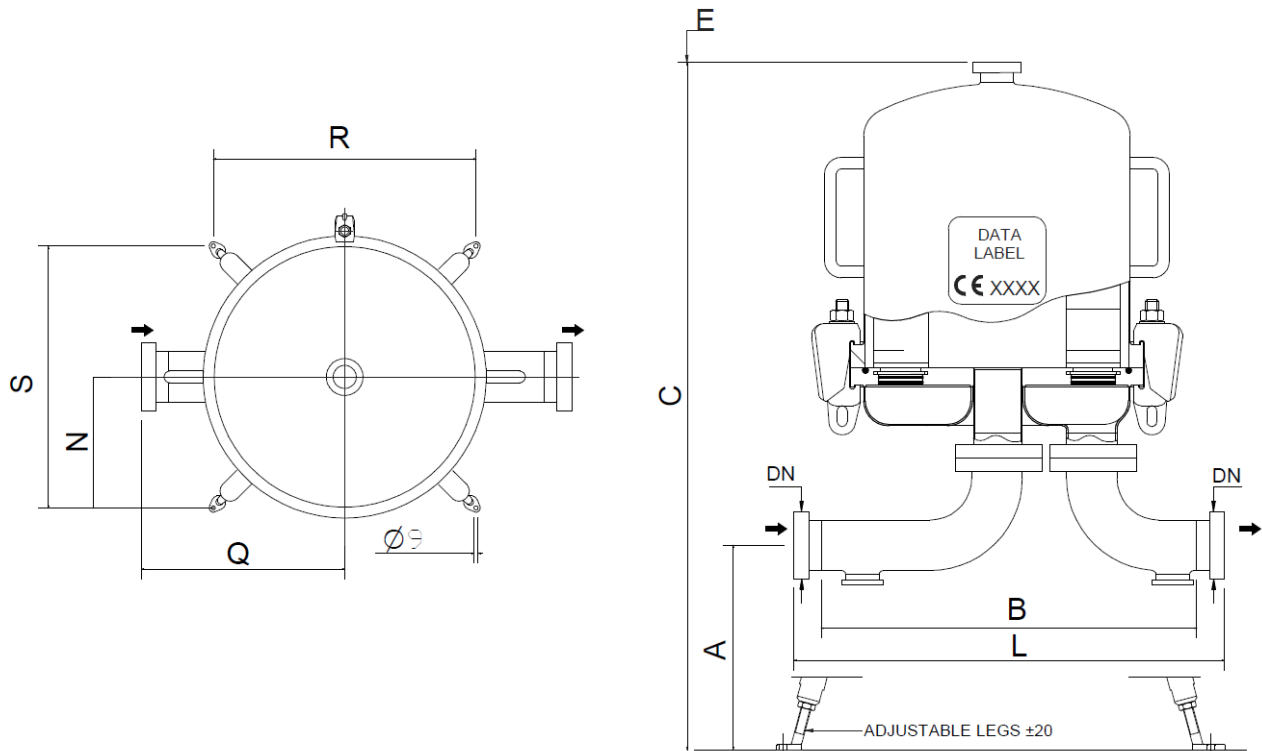


CARTRIDGES QUANTITY 12 - 18



**DIMENSIONS HOUSING AND CONNECTIONS**

CARTRIDGES QUANTITY 24 - 30



Dimensions PF-EG 0320 - 3040

Housing [Standard]	No of cartridge x height	R [mm]	S [mm]	N [mm]	C [mm]	E [mm]	Volume [L]	PED Cat.
PF-EG 0320	3 x 20"	357	310	206	1065	540	12,6	I
PF-EG 0330	3 x 30"				1314	790	17,8	I
PF-EG 0340	3 x 40"				1564	1040	23,1	II
PF-EG 0520	5 x 20"	400	347	231	1075	540	20	II
PF-EG 0530	5 x 30"				1325	790	29,1	II
PF-EG 0540	5 x 40"				1575	1040	38,2	II
PF-EG 0820	8 x 20"	448	388	259	1096	540	35,5	II
PF-EG 0830	8 x 30"				1345	790	49,7	II
PF-EG 0840	8 x 40"				1596	1040	63,9	II
PF-EG 1230	12 x 30"	425	410	279	1430	790	88	II
PF-EG 1240	12 x 40"				1680	1040	112	III
PF-EG 1830	18 x 30"	505	480	304	1450	790	115	III
PF-EG 1840	18 x 40"				1700	1040	146	III
PF-EG 2430	24 x 30"	465	455	-	1470	790	151	III
PF-EG 2440	24 x 40"				1720	1040	190	III
PF-EG 3030	30 x 30"	550	550	-	1500	790	235	III
PF-EG 3040	30 x 40"				1750	1040	293	III

**DIMENSIONS HOUSING AND CONNECTIONS**

Dimensions PF-EG 0320 - 3040																
Housing [Standard]	DN			DN				DN				DN				
	Clamp- Connection	A	L	Q	11851	A	L	Q	WELD ASME BPE	A	L	Q	Flange EN1092-1	A	L	Q
PF-EG 03XX*	1,5"	345	385	223	DN40	345	426	243	38,1x1,65	345	360	210	DN40	377	460	260
PF-EG 05XX*	1,5"	345	405	243	DN40	345	446	263	38,1x1,65	345	380	230	DN40	301	476	276
	2,0"	315	445	263	DN50	315	490	285	50,8x1,65	315	420	250	DN50	318	514	295
PF-EG 08XX*	1,5"	345	431	269	DN40	345	472	289	38,1x1,65	345	406	256	DN40	301	554	304
	2,0"	315	471	289	DN50	315	516	311	50,8x1,65	315	446	273	DN50	328	592	323
	2,5"	286	547	323	DN65	286	602	350	63,5x1,65	286	552	310	DN65	347	592	323
	3,0"	258	603	351	DN80	258	668	383	76,2x1,65	258	578	338				
PF-EG 12XX*	2,0"	350	544	238	DN50	350	586	259	50,8x1,65	350	518	225	DN50	307	671	275
	2,5"	326	573	225	DN65	326	627	252	63,5x1,65	326	547	212	DN65	279	728	302
	3,0"	298	629	253	DN80	298	683	246	76,2x1,65	298	603	240	DN80	324	656	267
	4,0"	290	609	243	DN100	290	687	282	101,6x2,11	290	583	230	DN100	290	728	302
PF-EG 18XX*	2,5"	325	629	265	DN65	325	684	292	63,5x1,65	325	604	252	DN65	380	744	302
	3,0"	297	645	253	DN80	316	700	276	76,2x1,65	297	620	240	DN80	325	703	297
	4,0"	287	632	246	DN100	287	704	282	101,6x2,11	292	600	230	DN100	287	749	285
PF-EG 24XX*	2,5"	318	643	264	DN65	318	698	291	63,5x1,65	318	518	252	DN65	281	778	322
	3,0"	292	660	252	DN80	292	715	295	76,2x1,65	292	547	239	DN80	327	737	317
	4,0"	300	647	245	DN100	300	718	281	101,6x2,11	300	603	229	DN100	289	774	315
PF-EG 30XX*	2,5"	318	744	330	DN65	318	799	357	63,5x1,65	318	719	317	DN65	280	884	382
	3,0"	292	765	323	DN80	292	820	356	76,2x1,65	292	740	310	DN80	327	633	381
	4,0"	300	742	306	DN100	300	814	342	101,6x2,11	300	710	290	DN100	288	869	374

\* XX = either 20, 30 or 40" housing height. It has no influence of footprint dimensions

PART-NO. STANDARD-VERSIONS

Part-No.	Housing	Connection In- / Outlet
1C072600-C15	PF-EG 0320, 2 drains	CLAMP 1,5"
1C072600-F40	PF-EG 0320, 2 drains	FLA DN40
1C072600-M40	PF-EG 0320, 2 drains	MILKPIPE DN40
1C072600-W38	PF-EG 0320, 2 drains	BUTT WELD 38,1 x 1,65
1C072601-C15	PF-EG 0330, 2 drains	CLAMP 1,5"
1C072601-F40	PF-EG 0330, 2 drains	FLA DN40
1C072601-M40	PF-EG 0330, 2 drains	MILKPIPE DN40
1C072601-W38	PF-EG 0330, 2 drains	BUTT WELD 38,1 x 1,65
1C072603-C15	PF-EG 0340, 2 drains	CLAMP 1,5"
1C072603-F40	PF-EG 0340, 2 drains	FLA DN40
1C072603-M40	PF-EG 0340, 2 drains	MILKPIPE DN40
1C072603-W38	PF-EG 0340, 2 drains	BUTT WELD 38,1 x 1,65
1C072604-C20	PF-EG 0520, 2 drains	CLAMP 2"
1C072604-F50	PF-EG 0520, 2 drains	FLA ANSI 2"
1C072604-M50	PF-EG 0520, 2 drains	MILKPIPE DN50
1C072604-W51	PF-EG 0520, 2 drains	BUTT WELD 50,8 x 1,65
1C072605-C20	PF-EG 0530, 2 drains	CLAMP 2"
1C072605-F50	PF-EG 0530, 2 drains	FLA ANSI 2"
1C072605-M50	PF-EG 0530, 2 drains	PF-EG0530 MILKPIPE DN50
1C072605-W51	PF-EG 0530, 2 drains	BUTT WELD 50,8 x 1,65
1C072606-C20	PF-EG 0540, 2 drains	CLAMP 2"
1C072606-F50	PF-EG 0540, 2 drains	FLA ANSI 2"
1C072606-M50	PF-EG 0540, 2 drains	MILKPIPE DN50
1C072606-W51	PF-EG 0540, 2 drains	BUTT WELD 50,8 x 1,65
1C072607-C20	PF-EG 0820, 2 drains	CLAMP 2"
1C072607-F50	PF-EG 0820, 2 drains	FLA DN50
1C072607-M50	PF-EG 0820, 2 drains	MILKPIPE DN50
1C072607-W51	PF-EG 0820, 2 drains	BUTT WELD 50,8 x 1,65
1C072608-C20	PF-EG 0830, 2 drains	CLAMP 2"
1C072608-F50	PF-EG 0830, 2 drains	FLA DN50
1C072608-M50	PF-EG 0830, 2 drains	MILKPIPE DN50
1C072608-W51	PF-EG 0830, 2 drains	BUTT WELD 50,8 x 1,65
1C072609-C20	PF-EG 0840, 2 drains	CLAMP 2"
1C072609-F50	PF-EG 0840, 2 drains	FLA DN50
1C072609-M50	PF-EG 0840, 2 drains	MILKPIPE DN50
1C072609-W51	PF-EG 0840, 2 drains	BUTT WELD 50,8 x 1,65

Part-No.	Housing	Connection In- / Outlet
1C072610-C25	PF-EG 1230, 2 drains	CLAMP 2,5"
1C072610-F65	PF-EG 1230, 2 drains	FLA DN65
1C072610-M65	PF-EG 1230, 2 drains	MILKPIPE DN65
1C072610-W63	PF-EG 1230, 2 drains	BUTT WELD 63,5 x 1,65
1C072611-C25	PF-EG 1240, 2 drains	CLAMP 2,5"
1C072611-F65	PF-EG 1240, 2 drains	FLA DN65
1C072611-M65	PF-EG 1240, 2 drains	MILKPIPE DN65
1C072611-W63	PF-EG 1240, 2 drains	BUTT WELD 63,5 x 1,65
1C072612-C25	PF-EG 1830, 2 drains	CLAMP 2,5"
1C072612-F65	PF-EG 1830, 2 drains	FLA DN65
1C072612-M65	PF-EG 1830, 2 drains	MILKPIPE DN65
1C072612-W63	PF-EG 1830, 2 drains	BUTT WELD 63,5 x 1,65
1C072613-C25	PF-EG 1840, 2 drains	CLAMP 2,5"
1C072613-F65	PF-EG 1840, 2 drains	FLA DN65
1C072613-M65	PF-EG 1840, 2 drains	MILKPIPE DN65
1C072613-W63	PF-EG 1840, 2 drains	BUTT WELD 63,5 x 1,65
1C072614-C25	PF-EG 2430, 2 drains	CLAMP 2,5"
1C072614-F65	PF-EG 2430, 2 drains	FLA DN65
1C072614-M65	PF-EG 2430, 2 drains	MILKPIPE DN65
1C072614-W63	PF-EG 2430, 2 drains	WELD 63
1C072615-C25	PF-EG 2440, 2 drains	CLAMP 2,5"
1C072615-F65	PF-EG 2440, 2 drains	FLA DN65
1C072615-M65	PF-EG 2440, 2 drains	MILKPIPE DN65
1C072615-W63	PF-EG 2440, 2 drains	WELD 63
1C072616-C30	PF-EG 3030, 2 drains	CLAMP 3"
1C072616-F80	PF-EG 3030, 2 drains	FLA DN80
1C072616-M80	PF-EG 3030, 2 drains	MILKPIPE DN80
1C072616-W76	PF-EG 3030, 2 drains	BUTT WELD 76,2 x 1,65
1C072617-C30	PF-EG 3040, 2 drains	CLAMP 3"
1C072617-F80	PF-EG 3040, 2 drains	FLA DN80
1C072617-M80	PF-EG 3040, 2 drains	MILKPIPE DN80
1C072617-W76	PF-EG 3040, 2 drains	BUTT WELD 76,2 x 1,65

other connection-dimensions on request

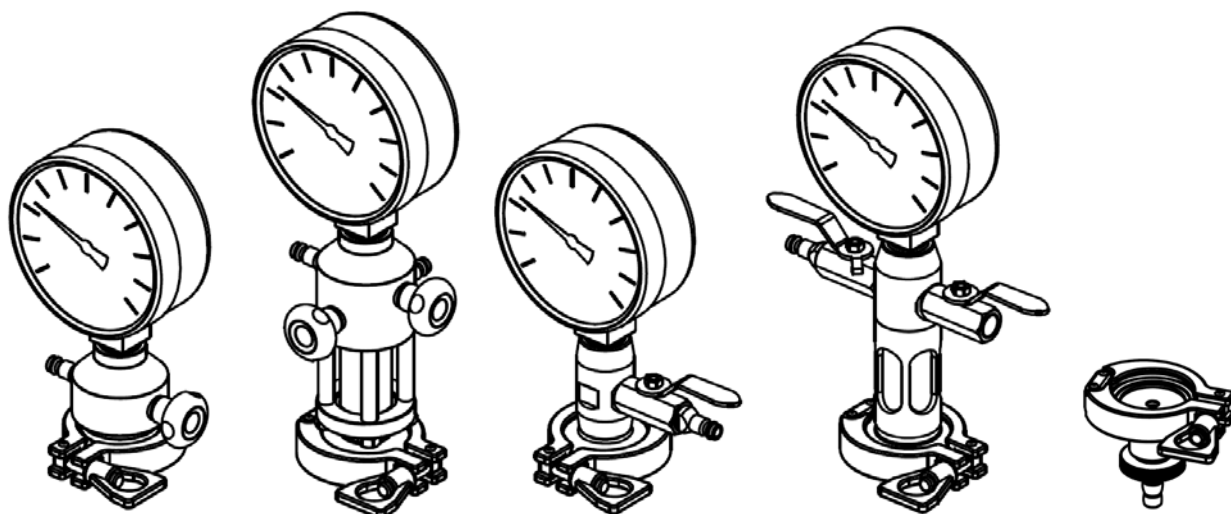
PART-NO. SERVICE KITS SILICONE

Part-No	Service Kit for housing size	Connection
1C072600-AS	SERVICE KIT PF-EG 0320-0340	STD*
1C072601-AS	SERVICE KIT PF-EG 0320-0340	Flange
1C072604-AS	SERVICE KIT PF-EG 0520-0540	STD*
1C072605-AS	SERVICE KIT PF-EG 0520-0540	Flange
1C072607-AS	SERVICE KIT PF-EG 0820-0840	STD*
1C072608-AS	SERVICE KIT PF-EG 0820-0840	Flange
1C072610-AS	SERVICE KIT PF-EG 1230-1240	STD*
1C072611-AS	SERVICE KIT PF-EG 1230-1240	Flange
1C072612-AS	SERVICE KIT PF-EG 1830-1840	STD*
1C072613-AS	SERVICE KIT PF-EG 1830-1840	Flange
1C072614-AS	SERVICE KIT PF-EG 2430-2440	STD*
1C072615-AS	SERVICE KIT PF-EG 2430-2440	Flange
1C072616-AS	SERVICE KIT PF-EG 3030-3040	STD*
1C072617-AS	SERVICE KIT PF-EG 3030-3040	Flange

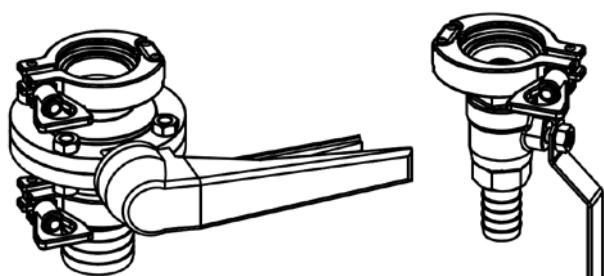
\* STD= MILKPIPE / BUTT WELD / CLAMP

Other materials on request

**PART-NO. ACCESSOIRES (NOT INCLUDED IN SCOPE OF SUPPLY)**



Manometer + hygienic Valve Clamp DN40	Manometer / Sightglass + 2 x hygienic valve Clamp DN40	Manometer + Ball Valve Clamp DN40	Manometer / Sightglass + Ball Valve Clamp DN40	Sampling Valve Clamp DN40
1C311116	1C311157	1C311115	1C311154	1C311153



Disc Valve Clamp	Ballvalve Drain Clamp DN40
1C311121	1C311158

Technical alterations reserved 09/2014

- For information on integrity test equipment or integrity test services, please contact your Donaldson Sales Engineer and visit our website at [www.donaldson.com](http://www.donaldson.com)!

(F119029 - Rev.02- 10/2016)



Donaldson.  
FILTRATION SOLUTIONS